

SEE - BLITZ

RAIL MOUNT BRACKET

NSN 5340-66-151-9424

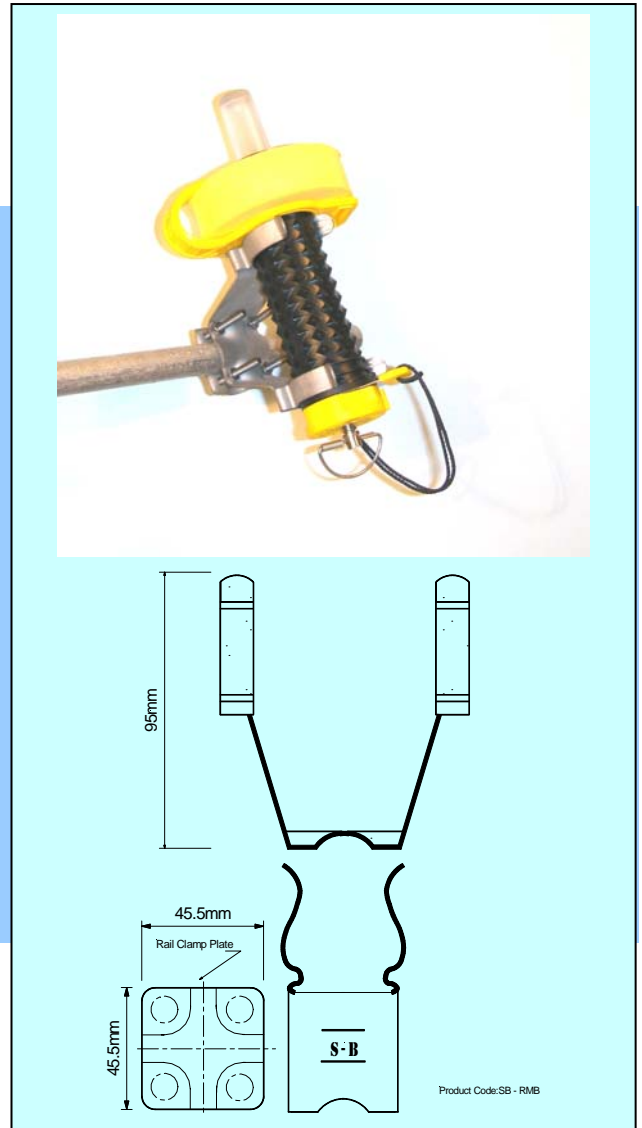
MFN:SB-RMB

BACK GROUND:

In the past imported Rail Mount Brackets. were not fully metal, having plastic clamps pop-riveted to a stainless steel frame.

UV degradation, susceptibility to chemicals and high temperatures made them unsuitable for NAVY's requirement of durability under extreme conditions.

The **SB-RMB** Rail Mount Bracket is designed as a single piece continuous metal construction with the clamps integral to the unit.



Description:

1. Single piece construction.
2. All Stainless Steel. (316)
3. Solid Cross-Piece saddle with 4 Screw mounting. Can be mounted directly against a bulkhead or clamped at 90 or 180 degrees to a rail.
4. Titanium blast matt non reflective finish.

Special Application:

As the entire bracket is made of Stainless Steel, the clamps may be bent open to offer a Float-Free function of the SEE - BLITZ closed to offer a firmer grip.

For Survival

