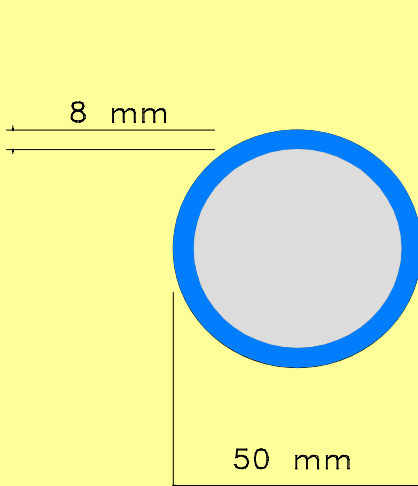


# SEE - BLITZ

## Buoyancy Compensator

SB - BC  
NSN 6230-66-138-4895



Material:  
Reversible Neoprene  
Black / Yellow  
Stitched & Glued



## PERSONAL LOCATOR OPTION

The Buoyancy Compensator was developed for Helicopter Pilots operating on the North Sea Oil Platforms who required the SEE - BLITZ attached on the facia of their inflatable Life Jackets.

Where the standard float collar is too large the Buoyancy Compensator can be used allowing the SEE - BLITZ to become a Personal Locator Beacon fitting easily into the pockets of foul weather gear.

The Buoyancy Compensator can be rolled stocking wise to form a float collar as well.

<i>SPECIFICATIONS</i>	CONTRACT NO.	DATE	COMPANY		
Stitched & Glued Seam	DRAWN BY: JTT.	11/2/92	APPLIED ENGINEERING & DESIGN		
LOGO: silk screened one side	CHECKED BY:		TITLE Buoyancy Compensator Sleeve SB-BC General Arrgt.		
	DESIGNED BY:		SIZE A4	FSCM NO.	DWG NO. / FILE NAME SB/Acc/BC.D1
	DESIGN ACTIVITY		SCALE 1mm = 1mm	DATE 11/2/92	SHEET 1 of 1
	CUSTOMER Def / SAR				