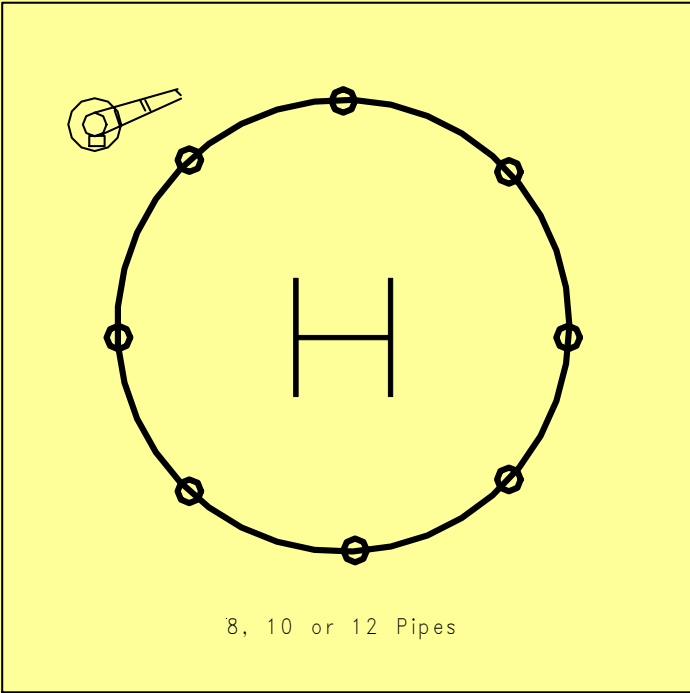
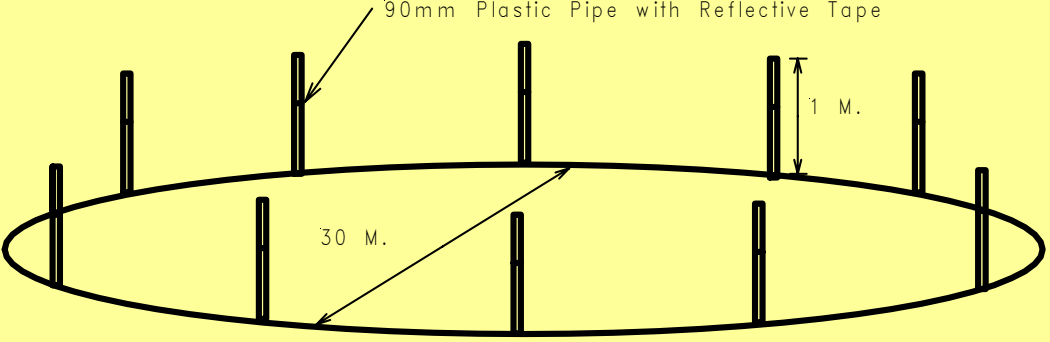
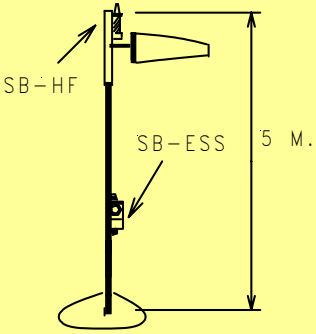


Layout of Emergency Helipad using SB- ESS & SB-HF



Note:

The Emergency Switch Station can be activated with the SB-RT radio switch from the Aircraft.

SPECIFICATIONS	CONTRACT NO.	DATE	COMPANY		
	DRAWN BY: JTT.		APPLIED ENGINEERING & DESIGN		
	CHECKED BY:		TITLE		
	DESIGNED BY: JTT.		Emergency Helipad		
	DESIGN ACTIVITY		SIZE	SCM NO.	DWG NO. / FILE NAME
	CUSTOMER		A4		
			SCALE	DATE	SHEET
				30/11/93	1 of 1